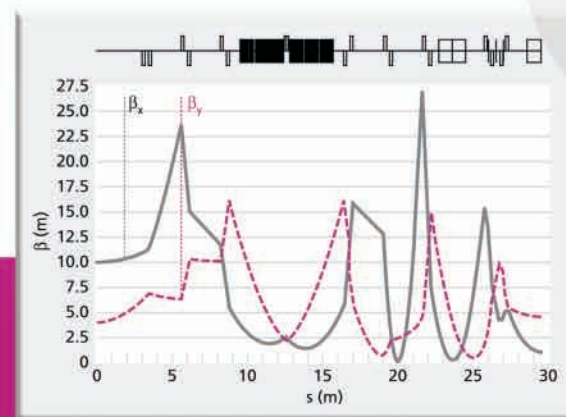
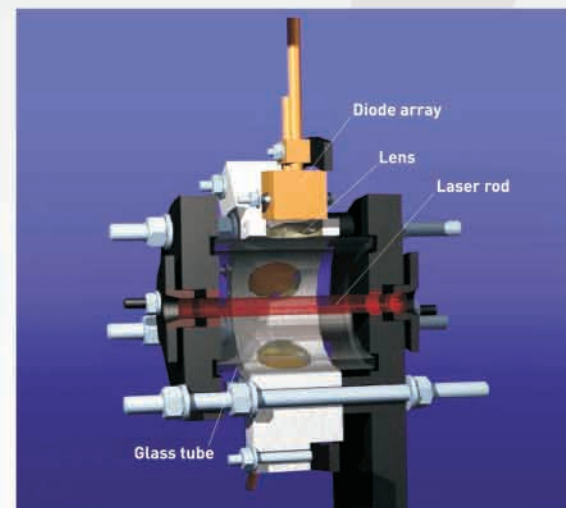
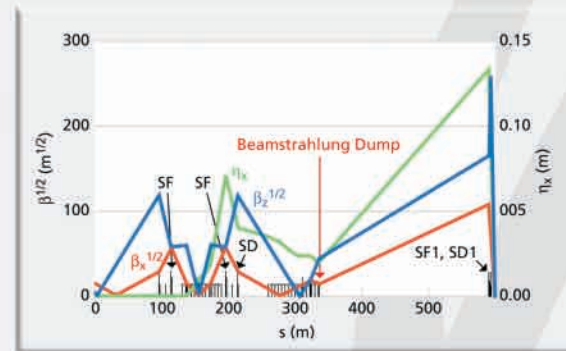


# Accelerator R&D for Particle Physics within CCLRC

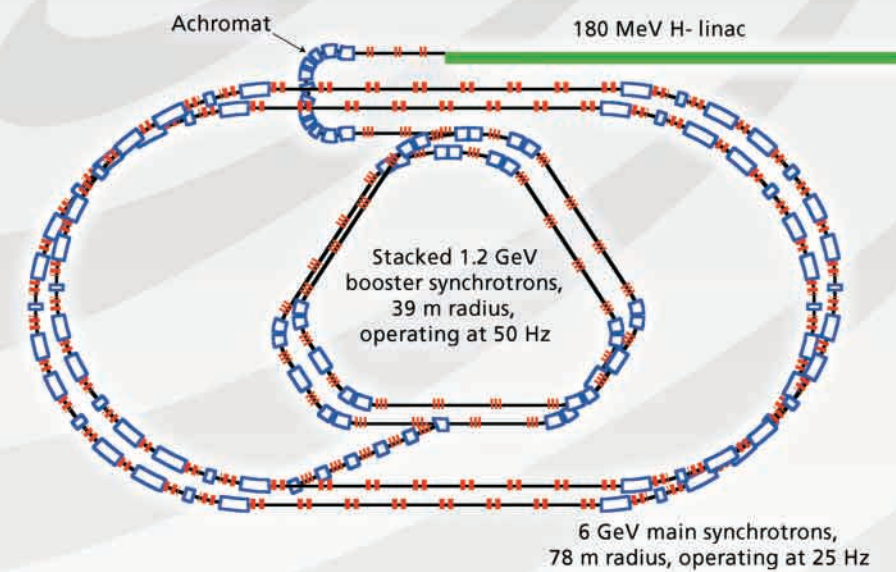
## Linear Collider

- Design of the beam delivery system and final focus
- Laser photoinjection
- Damping ring: lattice calculations

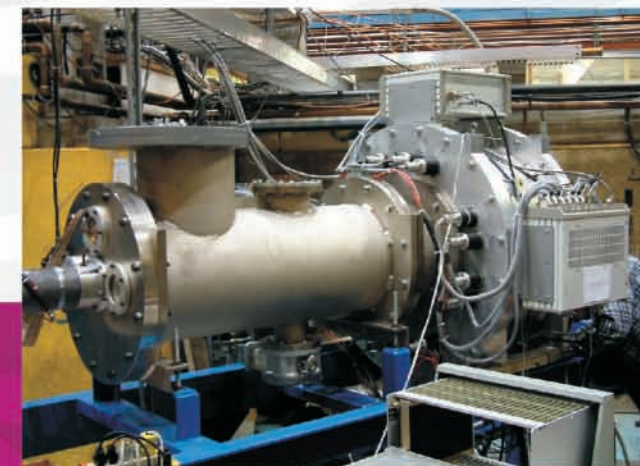


## Neutrino factory design

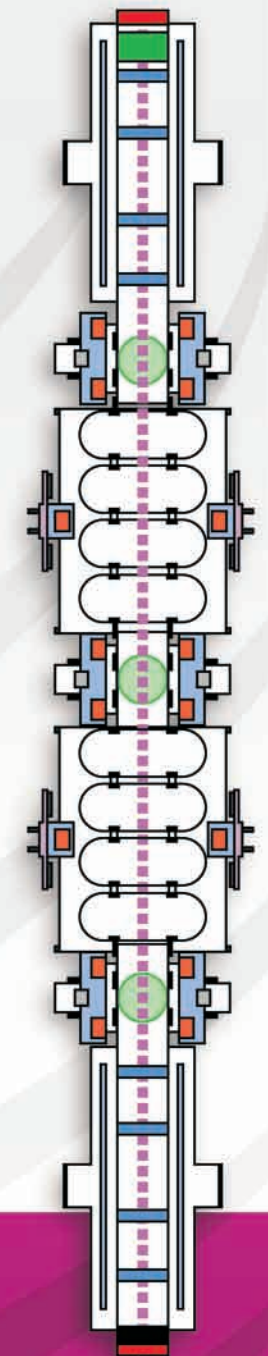
- Neutrino factory layout



- Experiments



MuScat (TRIUMF)



MICE